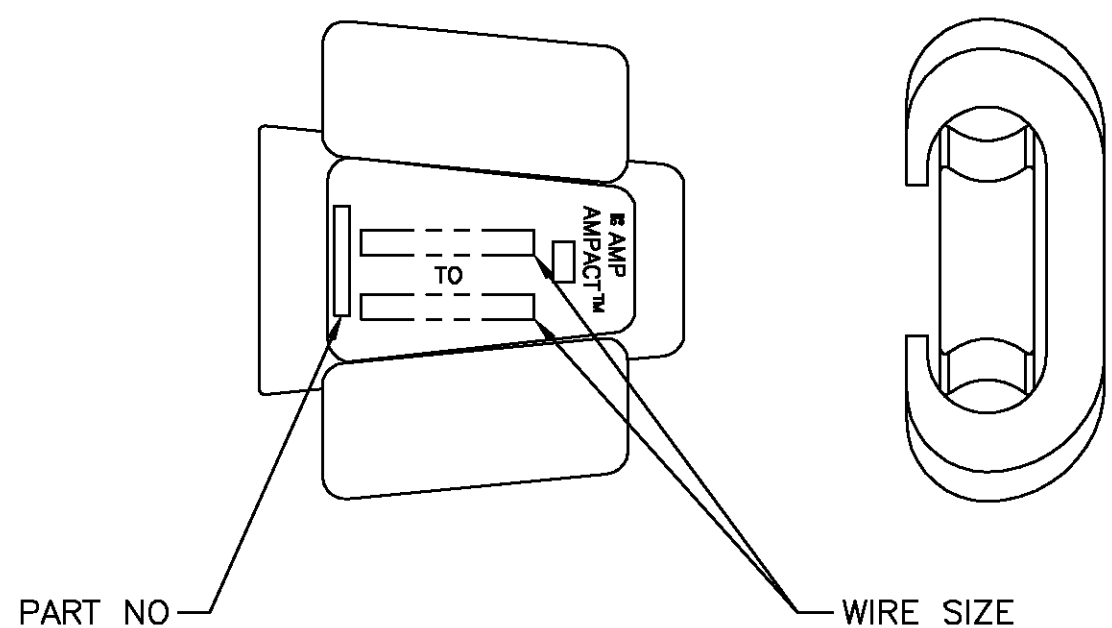
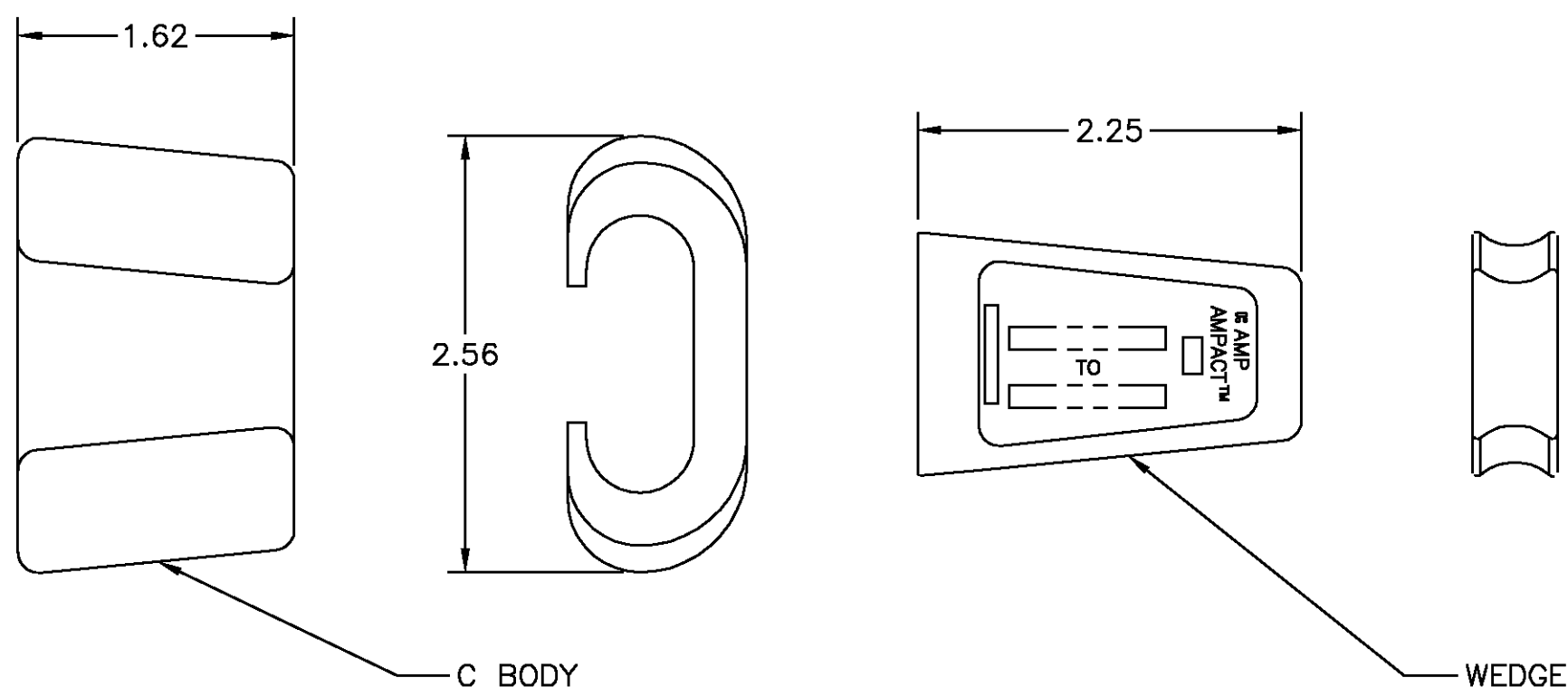


THIS DRAWING IS UNPUBLISHED. RELEASED FOR PUBLICATION .19
 © COPYRIGHT 19 BY AMP INCORPORATED. ALL RIGHTS RESERVED.

LOC	DIST	REVISIONS			
P	LTR	DESCRIPTION	DATE	DWN	APVD
BG	1	J1	REVISED PER EC LC00-0048-99	11MAY99	CD PC

1. DIMENSIONS ARE FOR REFERENCE ONLY
2. POSITION WEDGE WITH LABEL TOWARDS OPEN SIDE OF C BODY
3. INHIBITOR IS APPLIED AT FACTORY TO GROOVES OF C BODY AND WEDGE
4. WIRE SIZES ARE LABELED ON WEDGE
5. USE WHITE SHELLS PART NO. 69338-5



SUPERSEDED BY	WIRE SIZE	COPPER ASTM B-187	ALUM BRONZE ASTM B-148	WEDGE QTY. 1	C BODY QTY. 1	PART NO
SUPERSEDED BY 277060-4	#6 STR #4 SOL - #6 STR #4 SOL					5-275187-5
SUPERSEDED BY 277060-4	#4 STR #3 SOL - #6 STR #4 SOL					5-275187-4
SUPERSEDED BY 277060-3	#4 STR #3 SOL - #4 STR #3 SOL					5-275187-3
SUPERSEDED BY 277060-4	#3 STR #2 SOL - #6 STR #4 SOL					5-275187-2
SUPERSEDED BY 277060-3	#3 STR #2 SOL - #4 STR #3 SOL					5-275187-1
SUPERSEDED BY 277060-3	#3 STR #2 SOL - #3 STR #2 SOL					5-275187-0
SUPERSEDED BY 277060-2	#2 STR #1 SOL - #6 STR #4 SOL					4-275187-9
SUPERSEDED BY 277060-2	#2 STR #1 SOL - #4 STR #3 SOL					4-275187-8
SUPERSEDED BY 277060-2	#2 STR #1 SOL - #3 STR #2 SOL					4-275187-7
SUPERSEDED BY 277060-2	#1 STR 1/0 SOL - #6 STR #4 SOL					4-275187-6
SUPERSEDED BY 277060-2	#1 STR 1/0 SOL - #4 STR #3 SOL					4-275187-5
SUPERSEDED BY 277060-2	#1 STR 1/0 SOL - #3 STR #2 SOL					4-275187-4
SUPERSEDED BY 277060-2	1/0 STR 2/0 SOL - #6 STR #4 SOL					4-275187-3
SUPERSEDED BY 277060-2	1/0 STR 2/0 SOL - #4 STR #3 SOL					4-275187-2
SUPERSEDED BY 277060-1	1/0 STR 2/0 SOL - #3 STR #2 SOL					4-275187-1
	2/0 STR 3/0 SOL - #6 STR #4 SOL					4-275187-0
	2/0 STR 3/0 SOL - #4 STR #3 SOL					3-275187-9
SUPERSEDED BY 3-275187-9	2/0 STR 3/0 SOL - #3 STR #2 SOL					3-275187-8
	3/0 STR 4/0 SOL - #6 STR #4 SOL					3-275187-7
	3/0 STR 4/0 SOL - #4 STR #3 SOL					3-275187-6
SUPERSEDED BY 3-275187-6	3/0 STR 4/0 SOL - #3 STR #2 SOL					3-275187-5
	4/0 STR - #6 STR #4 SOL					3-275187-4
	4/0 STR - #4 STR #3 SOL					3-275187-3
SUPERSEDED BY 3-275187-3	4/0 STR - #3 STR #2 SOL					3-275187-2
	5/8 DIA. - #6 STR #4 SOL					3-275187-1
	5/8 DIA. - #4 STR #3 SOL					3-275187-0
SUPERSEDED BY 3-275187-0	5/8 DIA. - #3 STR #2 SOL					2-275187-9
	5/8 DIA. - 5/8 DIA.					2-275187-8
SUPERSEDED BY 277060-2	#1 STR 1/0 SOL - #2 STR #1 SOL					2-275187-7
SUPERSEDED BY 277060-1	#1 STR 1/0 SOL - #1 STR 1/0 SOL					2-275187-6
SUPERSEDED BY 277060-1	1/0 STR 2/0 SOL - #1 STR 1/0 SOL					2-275187-5
SUPERSEDED BY 1-275187-7	2/0 STR 3/0 SOL - #1 STR 1/0 SOL					2-275187-4
SUPERSEDED BY 1-275187-4	3/0 STR 4/0 SOL - #1 STR 1/0 SOL					2-275187-3
SUPERSEDED BY 1-275187-0	4/0 STR - #1 STR 1/0 SOL					2-275187-2
SUPERSEDED BY 275187-5	5/8 DIA. - #1 STR 1/0 SOL					2-275187-1
SUPERSEDED BY 277060-1	#2 STR #1 SOL - #2 STR #1 SOL					2-275187-0
SUPERSEDED BY 277060-1	1/0 STR 2/0 SOL - #2 STR #1 SOL					1-275187-9
	1/0 STR 2/0 SOL - 1/0 STR 2/0 SOL					1-275187-8
	2/0 STR 3/0 SOL - #2 STR #1 SOL					1-275187-7
	2/0 STR 3/0 SOL - 1/0 STR 2/0 SOL					1-275187-6
	2/0 STR 3/0 SOL - 2/0 STR 3/0 SOL					1-275187-5
	3/0 STR 1/0 SOL - #2 STR #1 SOL					1-275187-4
	3/0 STR 4/0 SOL - 1/0 STR 2/0 SOL					1-275187-3
	3/0 STR 4/0 SOL - 2/0 STR 3/0 SOL					1-275187-2
	3/0 STR 4/0 SOL - 3/0 STR 4/0 SOL					1-275187-1
	4/0 STR - #2 STR #1 SOL					1-275187-0
	4/0 STR - 1/0 STR 2/0 SOL					275187-9
	4/0 STR - 2/0 STR 3/0 SOL					275187-8
	4/0 STR - 3/0 STR 4/0 SOL					275187-7
	4/0 STR - 4/0 STR					275187-6
	5/8 DIA. - #2 STR #1 SOL					275187-5
	5/8 DIA. - 1/0 STR 2/0 SOL					275187-4
	5/8 DIA. - 2/0 STR 3/0 SOL					275187-3
	5/8 DIA. - 3/0 STR 4/0 SOL					275187-2
	5/8 DIA. - 4/0 STR					275187-1

THIS DRAWING IS A CONTROLLED DOCUMENT.

DWN: M. CHOW 27 MAY 98
 CHK: J. HANNA 03 JUN 98
 APVD: B. JOHNSON 03 JUN 98

AMP Of Canada Ltd.
 Markham, Ontario

AMP

CONNECTOR, MEDIUM, WHITE CODED,
 COPPER, AMPACT

SIZE: A2 CAGE CODE: 00779 DRAWING NO: 275187 RESTRICTED TO: -

MATERIAL: SEE CHART FINISH: - WEIGHT: - CUSTOMER DRAWING

SCALE: 1:1 SHEET: 1 OF 1 REV: J1